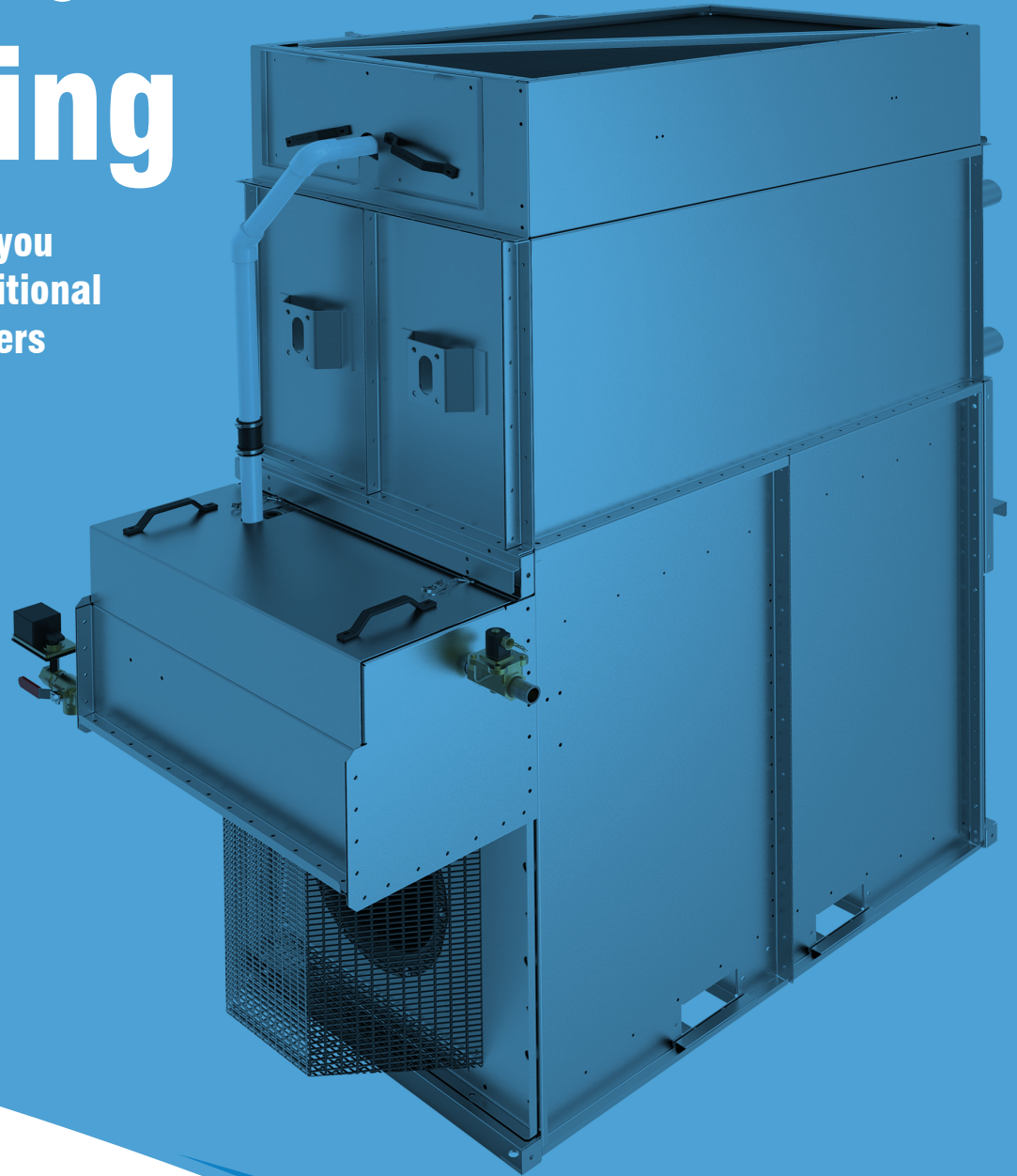




What's next in hybrid cooling

Exceeding what you know about traditional hybrid fluid coolers



NEXUS[®]
MODULAR HYBRID COOLER



LOWEST MAINTENANCE

90% REDUCTION IN MAINTENANCE COSTS

All key components are easily accessible from outside without permanent ladders or platforms.

Continuous self-cleaning operation of the **DiamondClear® Design** significantly reduces the need for maintenance by reducing scale build-up and biological growth.

Swing-out **EC Fan System** allows easy inspection and requires no maintenance whatsoever.



ENVIRONMENTALLY FRIENDLY WATER TREATMENT

80% SMALLER WATER VOLUME TO BE TREATED

Possibility to use water treatment systems that allow drainage from the hybrid cooler to surface water.

Continuous self-cleaning operation of the **DiamondClear® Design** and a daily dump minimize fouling.

Guarantee operational safety through the optional factory installed **chemical free UV biocide system**.



MAXIMUM UPTIME

UNMATCHED RELIABILITY AND LONGEVITY

Independent individual modules guarantee redundancy.

Corrosion-resistant materials come as standard: stainless steel **hCore® Heat Transfer Technology** combined with Baltibond® Hybrid Coating.

Cold water basin of the **DiamondClear® Design** can be inspected while the unit is in operation.

EC Fan System provides optimal reliability.



Nexus® Modular Hybrid Cooler

Exceeding what you know about traditional hybrid fluid coolers.

The revolutionary Nexus® Modular Hybrid Cooler is a modular, compact, plug-and-play solution that automatically optimizes water and energy savings while delivering you maximum uptime and the lowest operating, installation and maintenance costs.

iPilot® Control System



hCore® Heat Transfer Technology

DiamondClear® Design

Modular Design



up to **50%** water savings

EC Fan System



up to **40%** energy savings



LOWEST INSTALLATION COSTS

35% REDUCTION IN INSTALLATION COSTS, TIME AND RISK

Nexus units have up to 35% less weight, 40% smaller footprint and 1,5 m lower height.

No passivation required due to fully corrosion-resistant structure and **hCore® Heat Transfer Technology**.

Modular Design enables delivering units as individual modules that fit in a freight elevator.

Factory-installed, plug-and-play **iPilot® Control System** and **EC Fan System** eliminate on-site wiring and allow easy Building Management System integration.



LOWEST OPERATING COSTS

30% REDUCTION IN OPERATING COSTS

iPilot® Control System minimizes operating cost by balancing water and energy savings based on your needs and preferences.

hCore® Heat Transfer Technology provides unmatched thermal performance (wet and dry) in an incredibly compact package.

Elevated basin of the **DiamondClear® Design** and low spray water flow drastically reduce spray pump energy costs.

Direct-drive, variable-speed **EC Fan System** provides superior efficiency.

More info? Contact your local BAC representative.



Nexus® Modular Hybrid Cooler

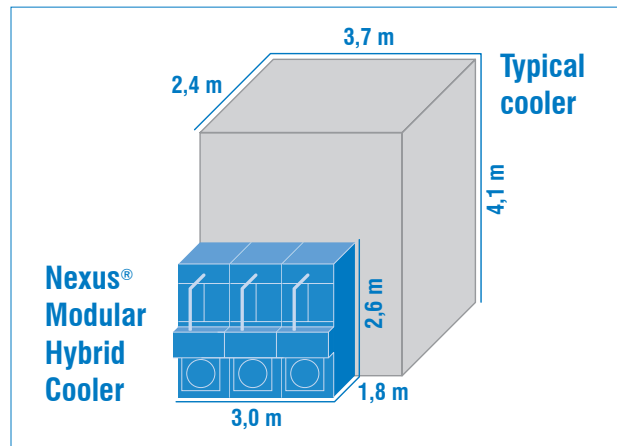
The best choice



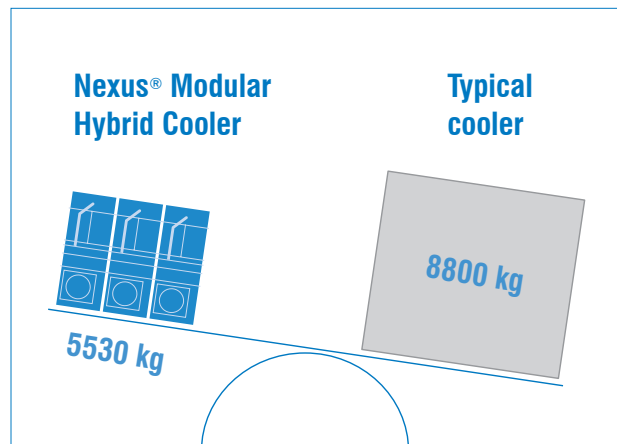
Note: Selections made for Eurovent certified units for 445 kW at 32/27/21°C with 30% EG

	Typical centrifugal fan fluid cooler	Nexus® NXF 0603E-CS2TS-J3	Advantage Nexus!
L x W x H	3,7 x 2,4 x 4,1 m	3,0 x 1,8 x 2,6 m	40% smaller footprint 1,5 m shorter
Operating weight	8800 kg	5180 kg	35% less weight
KW (fan+pump)	30 + 2,2 kW	17 + 1,1 kW	45% less fan kW 50% less pump kW
Process fluid volume	1257 L	443 L	65% less fluid volume
Spray basin volume	1847 L	337 L	80% less water volume
Heat exchanger	Galvanized steel	Stainless steel	Corrosion-resistant Zero passivation
Unit construction	Galvanized steel	Baltibond Hybrid Coating	Higher cycles of concentration
Sound (PWL)	94 dB(A)	94 dB(A)	Quiet operation

40% smaller footprint



35% lighter weight



BLUE by nature
GREEN at heart



www.BaltimoreAircoil.com
www.BacSustainability.com
europe@BaltimoreAircoil.com